

RL114

14inch Rugged Laptop with Intel® Core™ i51235U



KEY FEATURES

- 12th Gen. Intel® Processor Family – Alder Lake Processor
- 14" 1920 x 1080 FHD LED panel with direct optical bonding
- Antiglare technology for sunlight readability
- Dual battery with hotswappable design for wholeday work
- Flip design for quick switching between rugged laptop and rugged tablet modes
- Magnesium alloy enclosure with double injection for drop protection
- Integrated smart card reader

CE FC IC



SPECIFICATIONS

Display	
Bonding	Optical Bonding for Sunlight Viewability
Size	14.0 inches
Panel Brightness	700.0 nits
Type	Projected Capacitive Multi Touch
Resolution	1920x1080
Contrast Ratio	800:1
View Angles	85,85,85,85
System Specification	
Processor	Intel Core i51235U (up to 4.4GHz)
Memory	8GB DDR5 SDRAM 16GB DDR5 SDRAM (Optional) 32GB DDR5 SDRAM (Optional)
Storage	256GB M.2 NVMe SSD 512GB M.2 NVMe SSD (Optional) 1TB M.2 NVMe SSD (Optional) 2TB M.2 NVMe SSD (Optional) 2nd storage available with up to 2TB M.2 NVMe SSD (Optional)
Security	Trusted Platform Module (TPM) 2.0 Kensington Lock
Operating System	Windows 10 IoT Enterprise LTSC (64 bit) Windows 11 IoT Enterprise SAC (64 bit) (Optional)
WLAN	Support
BT	Support
WWAN	4G LTE (Optional)
GNSS	GPS, GLONASS
RFID	HF RFID reader 13.56 MHz (Optional)
Smart Card Reader	Smart Card Reader
Fingerprint Scanner	Fingerprint scanner (Optional)
Camera	
Front Camera	2MP front camera
Rear Camera	8MP rear camera with autofocus and LED light (Optional)
Mechanical	
Dimension	340 x 230 x 38 mm
Weight	2.5 kg
Cooling System	Fan design
IO Ports	
USB Port	3 x USB 3.0 (Type A), 1 x USB 3.0 (Type C)
Serial Port	1 x DB9 (RS232 / RS422 / RS485, software switchable)
SD Card Slot	1 x Micro SDXC Slot
SIM Card Slot	1 x Nano SIM card slot
Video	1 x HDMI 4K Output (Optional)
Audio	1 x Audio combo 3.5mm audio combo jack Dual Digital Mic With Noise Cancellation Dual Speaker

LAN	1 x RJ4510/100/1000 GigaLAN port	Indicator	4x LED Indicator for Power, Battery, HDD, RF status
------------	----------------------------------	------------------	---

Environment

Operating Humidity	10% to 90% RH, noncondensing	Operating Temperature	20°C to 60°C (AC mode), 0°C to 50°C (Battery mode)
Storage Temperature	30°C to 70°C	Shock	MILSTD810H Method 516.8 Procedure I
Vibration	MILSTD810H Method 514.8 Procedure I	IP rating	IP65
Drop	MILSTD810H Method 516.8, 3 ft		

Certification

Certification	CE, FCC, IC
----------------------	-------------

Security Function

SOTI MobiControl	SOTI MobiControl Compliance	Kensington Lock	Kensington Lock Support
-------------------------	-----------------------------	------------------------	-------------------------

Control

Button	1 x Power, 2 x volume key, 2 x Programmable Function Keys QWERTY keyboard with RGB backlight
---------------	--

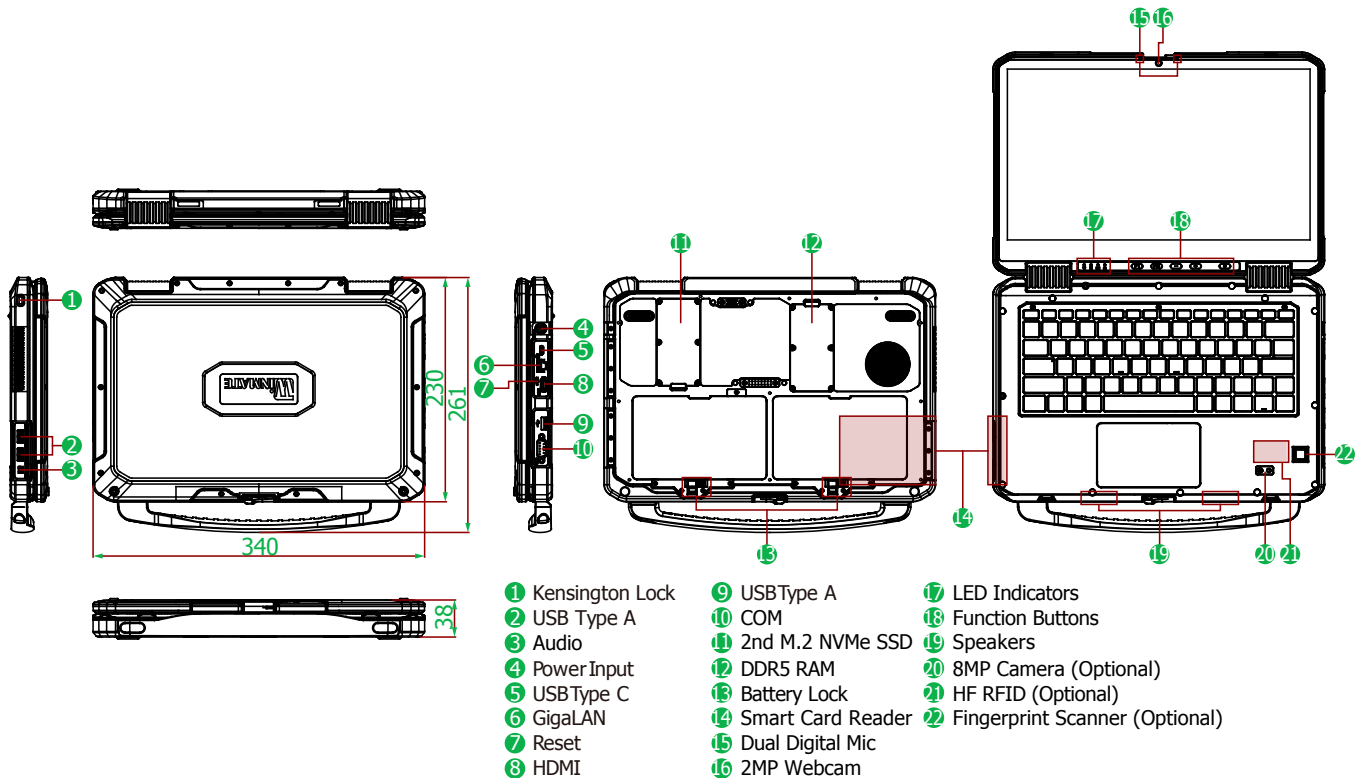
Power

Battery	Hotswappable 2 x 11.55V, typ. 3220 mAh Lilon Battery (3S1P)	Battery Operating Time	Standard Battery: 11 hours
Power Rating	19V DC	Adapter	100240V, 5060Hz / 19V DC

Accessory

Accessory	Adapter and Power Cord Standard Battery	Optional Accessory	Spare Battery (Optional) Battery Charger (Optional) Vehicle Charger (Optional)
------------------	--	---------------------------	--

DIMENSIONS UNIT:MM



NOTE

/ Disclaimer /

1. Accessories and Integrated Options may vary depending on your configuration.
2. Total usable memory and storage will be less dependent upon actual system configuration.
3. The actual transfer speed will vary depending on many factors including the processing speed of the host device, file attributes, and other factors related to the system configuration and your operating environment.
4. The USB Type-C connector follows USB 3.0 standard, which does not support Alternate Mode (ALT) or USB Power Delivery (USB-PD).
5. The battery life is measured at dimming LCD brightness. Varies depending on the usage conditions, or when an external device is attached.
6. The 2D drawing is simplified drawing and some components are not marked in detail.
7. Length measurements do not include protrusions. Weight varies with options.
8. TPM 2.0 available upon request.
9. SOTI is available upon request.
10. The product shown in this datasheet is a standard model. For diagrams that contain customized or optional I/O, please contact the Winmate Sales Team for more information.